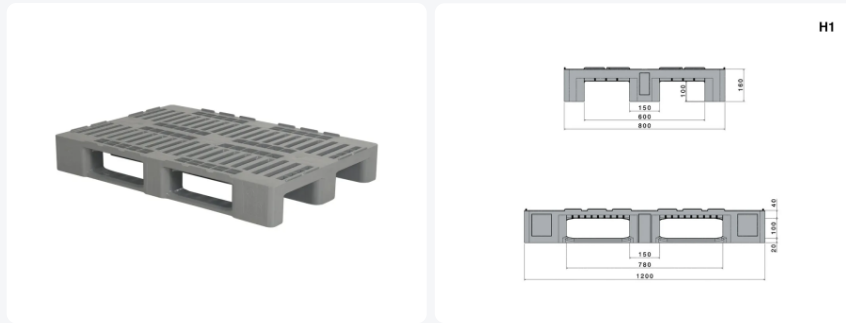




Euro pallet H1 - 1200 x 800 mm - with 7 mm rims - 3 closed pallet skids - grey (RAL 7042)



Product specifications

External (LxWxH)	1200 x 800 x 160 mm
Dynamic load capacity	1250 kg
Material	HDPE
Article number	83100801
Weight (kg)	18 kg
Temperature range	-30°C to +40°C, briefly up to +90°C
Color	Grey
Colorcode	approx. RAL 7042
Static load capacity	5000 kg
Edge height	7 mm
Load capacity in racks	1000
Quantity per pallet	15

Features

Hygienic plastic pallet for general use

Universal version of the EURO H1 - without locating cross

Pallet deck with 7 mm rims for centring loads and empty pallets on top of each other

With fully through openings in the pallet deck for ventilation and moisture drainage

With a fully closed and smooth underside of the pallet skids, preventing dirt from the floor from accumulating

Skids and blocks are extremely robust for a long service life

Smooth underside ensures easy running on roller conveyors

Marking, logos or numbering on request; position to be agreed

Options: Pallet lid / pallet cover - fit-on rims - pallet wedges - QR codes and barcodes - RFID transponders - Palgrip anti-slip under the skids - welded skids - ESD version

Description

Our H1 pallet is almost identical to the EURO H1. The only difference is that the locating cross on the deck is omitted. Because the pallet deck is completely flat, this H1 variant is widely used in combination with packaging, cartons and bagged goods. However, no compromises are made in terms of hygiene and cleanability. The H1 pallet also features a fully closed and smooth underside of the skids and blocks, leaving no opportunity for dirt from the floor to accumulate.

This pallet variant is also produced from high-quality virgin HDPE and is suitable for direct food contact. This additionally ensures high impact resistance and trouble-free use in freezing environments.



Suitable accessories



Alternative articles

